

//

# Pier Barstool



The Pier Stool is inspired by the thick and straight cylindrical pillars of pier structures. Made entirely from solid oak, the stool is composed by using only mortise and tenon joints, allowing the wood fibres to run continuously throughout, giving the piece sustained durability. With its unique and continuous sled legs, Pier casts an elegant silhouette to compliment any bar or benchtop. Easily stackable, the Pier Stools are available in two heights to suit a range of domestic and commercial interiors.

---

**Designer**

Leonard Kadid, 2020

**Warranty**

3 years

---

**PERTH**

246 Hay Street  
Subiaco WA 6008  
Australia  
(08) 9388 1855  
perth@district.com.au

**MELBOURNE**

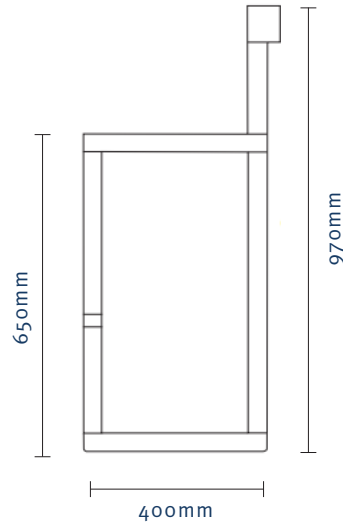
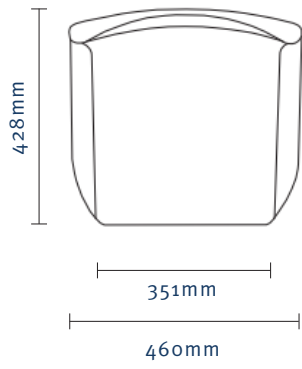
20 Russell Street  
Melbourne VIC 3000  
Australia  
(03) 9654 1060  
melbourne@district.com.au

**SYDNEY**

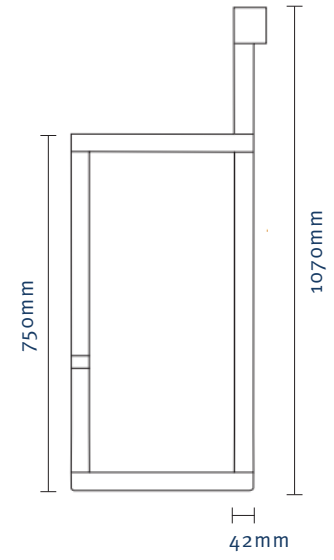
New South Wales  
Sydney NSW 2000  
Australia  
(03) 9654 1060  
sydney@district.com.au

## DIMENSIONS

### Pier Stool



Counter Stool



Bar Stool

### MATERIALS

Solid Oak, FSC Certified

### FINISHES

Natural Oak  
Black Stained Oak

### FEATURES

FSC Certified Wood  
Weight -

Counter 7.9 kg  
Bar 8.2 kg