

//

Isabella Lounge Chair



The Isabella Chair is an exercise in the mixing of contrasting proportions. Its ultra slim three-legged steel base provides robust support and acts as a deliberate variant against a soft seat and tailored back cushion. These elements gift the piece a refined modern look whilst providing the user with a uniquely comfortable situation for sitting. Ideal for commercial and residential applications

Designer
Simon James, 2018

Warranty
3 years



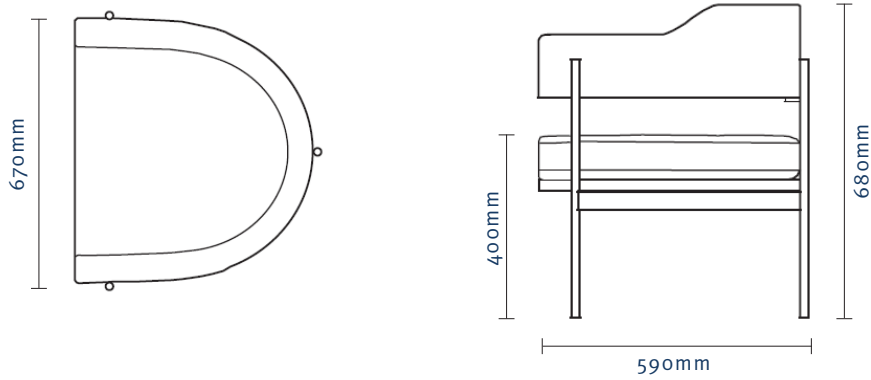
PERTH
246 Hay Street
Subiaco WA 6008
Australia
(08) 9388 1855
perth@district.com.au

MELBOURNE
20 Russell Street
Melbourne VIC 3000
Australia
(03) 9654 1060
melbourne@district.com.au

SYDNEY
New South Wales
Sydney NSW 2000
Australia
(03) 9654 1060
sydney@district.com.au

DIMENSIONS

Isabella Armchair



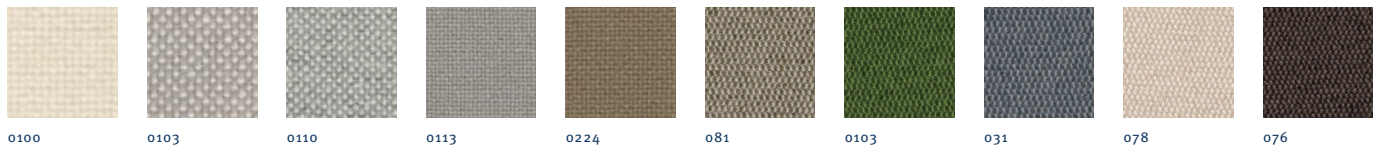
MATERIALS

Multi density feather and foam system
Timber and steel frame

RECOMMENDED FABRICS

Hallingdal 65 by Kvadrat

70% New Wool 30% Viscose
*more colours available - please enquire



0100 0103 0110 0113 0224 081 0103 031 078 076

Messenger by Maharam

78% Post-Industrial Recycled Polyester, 15% Polyester, 7% Nylon
*more colours available - please enquire

Mode by Maharam

76% Post-Consumer recycled Polyester
*more colours available - please enquire



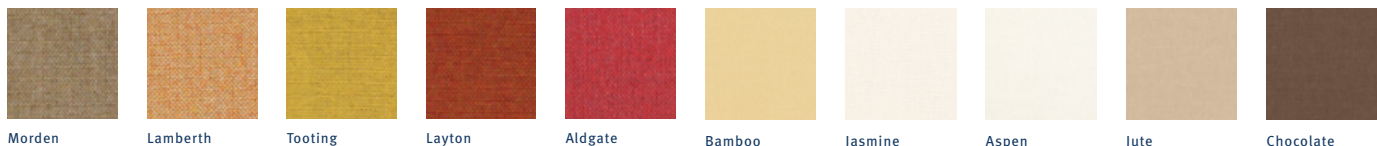
026 011 019 008 039 Kindness Serendipity Combo Intertwine Level

Synergy by Camira

(95% Virgin Wool, 5% Polyamide)
*more colours available - please enquire

Mainline Flax by Camira

75% Virgin Wool, 25% Flax
*more colours available - please enquire



Morden Lamberth Tooting Layton Aldgate Bamboo Jasmine Aspen Jute Chocolate

Linara by Romo

(63% Linen, 37% Linen)
*more colours available - please enquire

Cocoon by Instyle

(3% Australian Wool, 17% Acrylic, 8% Polyester, 2% Nylon)
*more colours available - please enquire



Mist Shadow Almond Dapple Fawn Dry Leaf Hurricane Rogue Kiwi Caribou

Ascona by Pelle Leather

Smooth Grain Aniline
*more colours available - please enquire

Tanzania by Pelle Leathers

Pronouced Grain Pigmented Leather
*more colours available - please enquire



Amaretto Bamboo Basque Camouflage Carob Arabian Arnhem Kalahari Sahara Spinifex

Outback by Pelle Leathers

Nubuck Leather
*more colours available - please enquire

@district_au