

//

Forcina Table



Forcina's solid wood seat and backrest are familiar in shape with comfortably sculpted surfaces on the top of the seat and front of the backrest. The stainless steel frames are cnc bent, and composed for efficient manufacture with few parts and minimal welding. The frame reaches beyond the backrest and — like the hairpin — provides an easy place to grasp the chair. The collection includes chairs, armchairs, square and round tables, low stools, and barstools.

Designer
Leon Ransmeier

Warranty
5 years

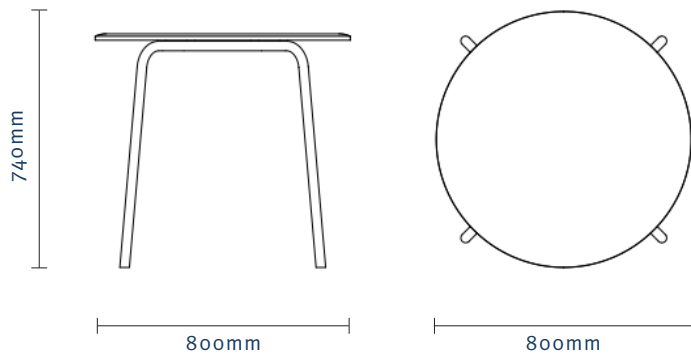


PERTH
246 Hay Street
Subiaco WA 6008
Australia
(08) 9388 1855
perth@district.com.au

MELBOURNE
20 Russell Street
Melbourne VIC 3000
Australia
(03) 9654 1060
melbourne@district.com.au

SYDNEY
New South Wales
Sydney NSW 2000
Australia
+61 (411) 018 018
sydney@district.com.au

DIMENSIONS



MATERIALS

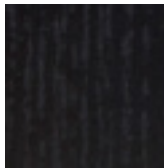
European Ash

FINISHES

Ash



Natural



Black

Oak



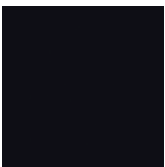
Natural

Robinia



Oiled

Stainless Steel Frame



Black



Brushed

CARE & MAINTANENCE

- Solid wood is a natural product, and it varies in colour and grain, giving uniqueness to every piece. Any particular detail of wood (grain, mirrorings, crackings and colour variations), is not to be considered as defect but rather a material natural feature.

- It is suggested to clean the product with a soft, damp cloth or with specific detergents for furniture. Do not use abrasive sponges or other materials that are potentially aggressive. Do not use acid products, solvents or products containing ammonia.

- Not suitable for outdoor use, unless explicitly specified

- Avoid standing on the seat/top of the product. Avoid using the product as ladder. Avoid rocking the product when sitting. Avoid standing on the raised parts or surfaced. Avoid any other improper use.