

//

Florence Coffee Table



With the additions of the Florence coffee and side table, a bold simplicity has been brought into more intimate surrounds. These smaller family members seek to provide the perfect platform on which to display the objects of living. With an angular black steel frame offset by a rounded black marble table top; this new scale creates the perfect subtle centre-piece.

Designer

New Works Studio, 2020

Warranty

2 years

PERTH

246 Hay Street
Subiaco WA 6008
Australia
(08) 9388 1855
perth@district.com.au

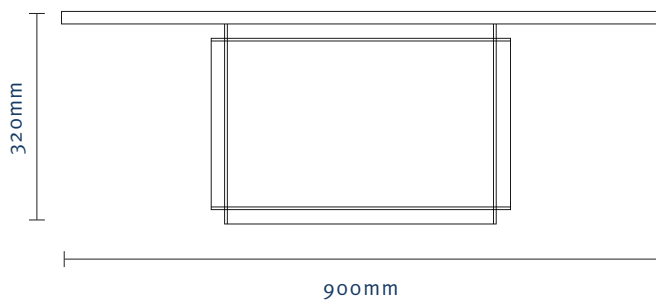
MELBOURNE

20 Russell Street
Melbourne VIC 3000
Australia
(03) 9654 1060
melbourne@district.com.au

SYDNEY

New South Wales
Sydney NSW 2000
Australia
(03) 9654 1060
sydney@district.com.au

DIMENSIONS



Ø 900 mm x 320 H mm

MATERIALS

Powder coated steel frame with table top in black marble

CARE & MAINTANENCE

The table tops in our collection are treated with a sealer which makes the table top more stain resistant than untreated marble. Because marble is a natural material, marble is sensitive to liquids - in particular acidic substances like lemon juice, wine or coffee. If the liquid is not removed immediately, spilled liquids will leave a permanent stain on the table top. However, it is strongly recommended always to use a coaster and not to place glasses or cups with liquids directly onto the marble table top. For daily care and cleaning it is recommended to use a cleaning agent specifically developed for stone or marble. It is also highly recommended to do a re-sealing of the table top approximately every second month using an appropriate sealer developed specifically for stone or marble.

Wipe the table frame with a soft dry or moist cloth. Do not use any abrasive cleaning tools, and never use strong cleaning agents such as household glass cleaner, white spirit or turpentine.