

//

Chiaro Chair



As with many words, Chiaro has several definitions: clear, bright, and straightforward. Chairs by nature are straightforward – the proportions of a seat and back suggest a place to sit, and regardless of their formal language, most of the time we know what to do with them. Sophisticated manufacturing technology and handcraft give Mattiazzi the rare ability to shape wood in almost any form. Although Leon Ransmeier was extremely tempted to explore those boundaries, Chiaro is not a radical chair. The connections between the parts are direct and uncomplicated, and the structure under the seat (perhaps the most unique aspect of the design) evolved from an intention to simplify the joinery while reducing the total number of parts.

Designer
Leon Ransmeier

Warranty
5 years

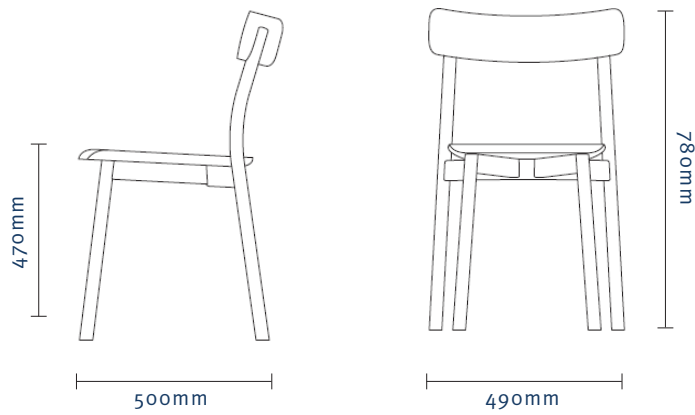


PERTH
246 Hay Street
Subiaco WA 6008
Australia
(08) 9388 1855
perth@district.com.au

MELBOURNE
20 Russell Street
Melbourne VIC 3000
Australia
(03) 9654 1060
melbourne@district.com.au

SYDNEY
New South Wales
Sydney NSW 2000
Australia
(03) 9654 1060
sydney@district.com.au

DIMENSIONS

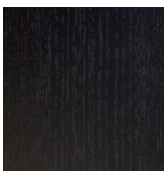


MATERIALS

European Ash or Oak & optional Upholstery

FINISHES

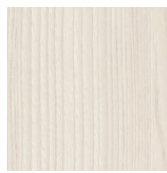
Ash



Black



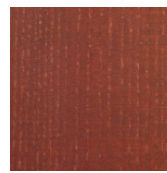
Grey



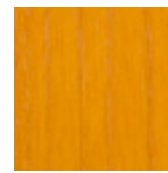
White



Blue



Dark Red

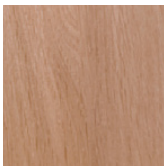


Yellow



Natural

Oak



Natural

RECOMMENDED UPHOLSTERY

Novum by Rohi

FEATURES

- Stackable up to three chairs

CARE & MAINTENANCE

- Solid wood is a natural product, and it varies in colour and grain, giving uniqueness to every piece. Any particular detail of wood (grain, mirrorings, crackings and colour variations), is not to be considered as defect but rather a material natural feature.

- It is suggested to clean the product with a soft and damp cloth. Remove immediately any type of stain to prevent the wood, fabric or leather absorbs the liquid. Do not use abrasive sponges or other materials potentially aggressive. Do not use acid products, solvents or products containing ammonia. Do not use specific products for furniture or fabric/leather.