

//

Branca Stool



Like wooden branches of a tree, Branca is a chair that is familiar to the eye. Designed by Sam Hecht/ Industrial Facility, Branca is made from a single piece of wood produced robotically and its back leg supports the critical joints of the armrest, the seat and the back. The joints are seen as but a part of the seamless nature of the chair and its simple outlines belies the complexity of production. Branca is inspired by wooden branches that turn, twist, meet and branch off. The result is comfort to the eye, to the body and to the hand. Branca is a chair, a stool, and a table.

Designer
Sam Hecht/Industrial Facility

Warranty
5 years



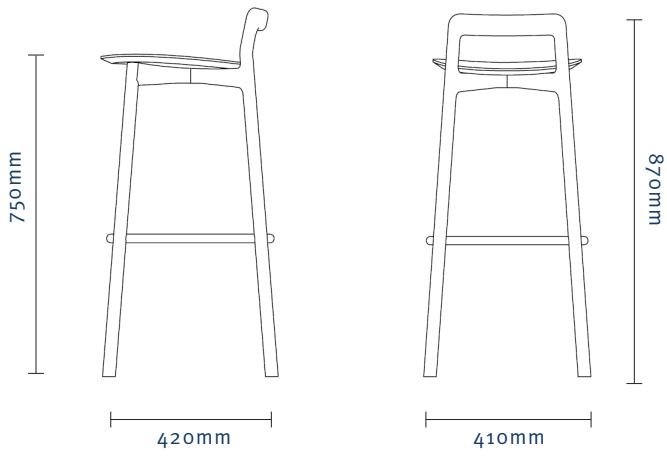
PERTH
246 Hay Street
Subiaco WA 6008
Australia
(08) 9388 1855
perth@district.com.au

MELBOURNE
20 Russell Street
Melbourne VIC 3000
Australia
(03) 9654 1060
melbourne@district.com.au

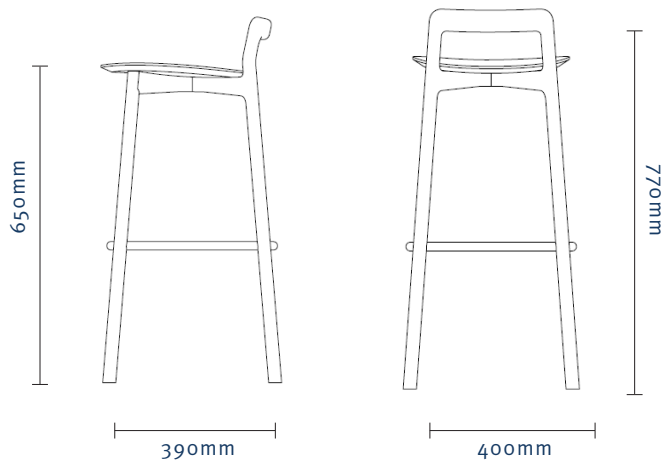
SYDNEY
New South Wales
Sydney NSW 2000
Australia
(03) 9654 1060
sydney@district.com.au

DIMENSIONS

Bar Stool



Counter Stool



@district_au

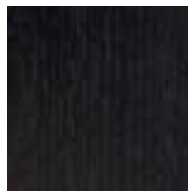
MATERIALS

European Ash

FINISHES



Brown / Seat
Natural Wax



Black



White



Green



Natural

STOOL RING FINISHES



White



Black

FEATURES

- Removeable seat upholstery option

CARE & MAINTANENCE

- Solid wood is a natural product, and it varies in colour and grain, giving uniqueness to every piece. Any particular detail of wood (grain, mirrorings, crackings and colour variations), is not to be considered as defect but rather a material natural feature.

- It is suggested to clean the product with a soft and damp cloth. Remove immediately any type of stain to prevent the wood, fabric or leather absorbs the liquid. Do not use abrasive sponges or other materials potentially aggressive. Do not use acid products, solvents or products containing ammonia. Do not use specific products for furniture or fabric/leather.