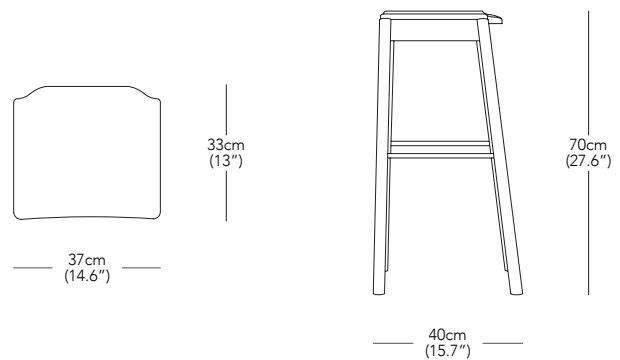


# Resident

## Tangerine Stool



DESIGNER  
Simon James / 2012

PRODUCT DESCRIPTION  
Bar Stool

PRODUCT CODE  
TAN002B - Tangerine Stool, Black  
TAN002N - Tangerine Stool, Natural  
TAN002U - Tangerine Stool, Umber

\* Components drawn in relative scale. Refer to CAD files for accurate drawings.

MATERIALS  
Solid Oak

COLOUR OPTIONS  
Black Stained Oak  
Natural Oak  
Umber Stained Oak

PRODUCT ENVIRONMENT  
Indoor Use Only

APPROPRIATE FOR HARD CONTRACT USE  
Yes

CERTIFICATION  
F.S.C Certified Wood

WARRANTY  
3 Years

PACKAGED DIMENSIONS  
1 Box Per Chair

W	D	H	Box
43 x	43 x	74cm	0.14 m <sup>3</sup>
16.9 x	16.9 x	29.1"	4.83 ft <sup>3</sup>

PACKAGED WEIGHT  
5.9 kg  
13.0 lbs

PRODUCT WEIGHT  
4.6 kg  
10.1 lbs

CUSTOMISATION  
Please email [sales@resident.co.nz](mailto:sales@resident.co.nz) for enquiries.

COUNTRY OF ORIGIN  
Lithuania