

Kashmir Chair



Simon James | 2019

The Kashmir collection is an exercise in the essential and makes a statement that's more of a whisper than a shout.

The steel frame of the Kashmir Chair calls to mind the simplicity of iconic Modernist furniture design, offset by a tailored back-rest, where the circular stitching detail brings in a subtle element of modern craftsmanship.

Offering a high level of refinement and a level of comfort and support that envelops the sitter, this piece will perform equally well in an office, cafe or home.

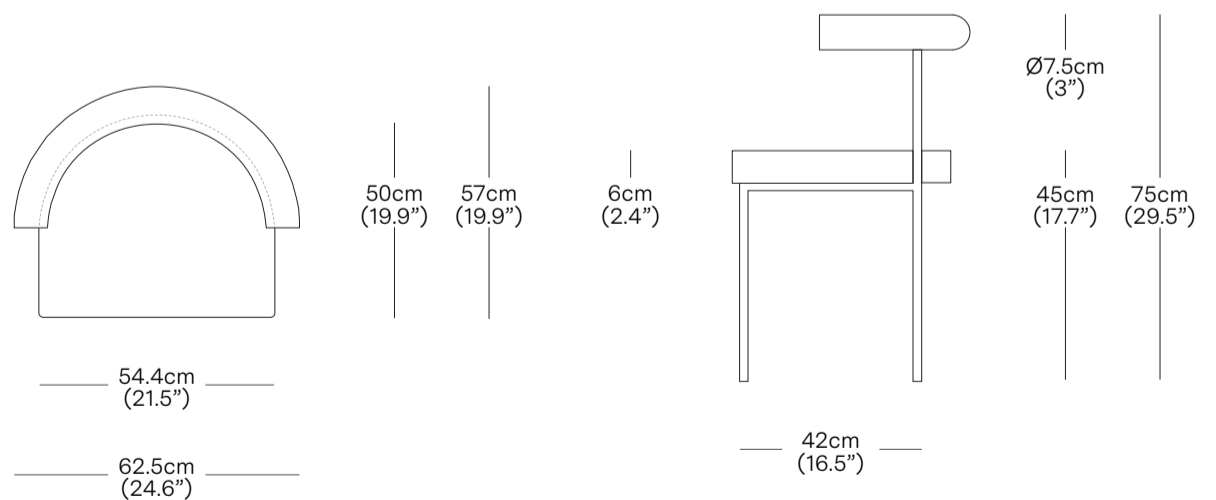
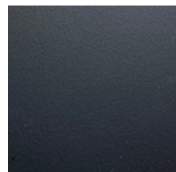
MATERIALS Upholstered MDF and Foam, Steel
PRODUCT ENVIRONMENT Indoor Use Only
CONTRACT USE Yes
CERTIFICATION CAL 117-2013, BS 5852 Crib 5*, EN 1021-1 EN 1021-9
WARRANTY 3 years
COUNTRY OF ORIGIN UK / USA / AUS / NZ

CODE KAS001	PRODUCT Kashmir Chair
-----------------------	---------------------------------

CATEGORY	PRODUCT
1	Maharam Mode / Messenger / COM
2	Camira Synergy / Mainline Flax
3	Kvadrat Hallingdal 65 / Sorensen Envy
4	Sorensen Royal Nubuck

UPHOLSTERY USAGE
COM 1 m (1.1 yd)
COL 1.7 m ² (18.3 ft ²)
UPHOLSTERY DETAILS Refer to upholstery fabric & leather document

FINISHES black base	PRODUCT WEIGHT 11.9 kg (26.2 lbs)
-------------------------------	---



PACKAGED DIMENSIONS		
L x W x H	Cubage	Weight
Box 1		
59 x 64 x 80 cm	0.30 m ³	14.8 kg
23.2 x 25.2 x 31.5 in	10.6 ft ²	32.6 lbs
COMMODITY CODE	94017100	

* Components drawn in relative scale. Refer to CAD files for accurate drawings.