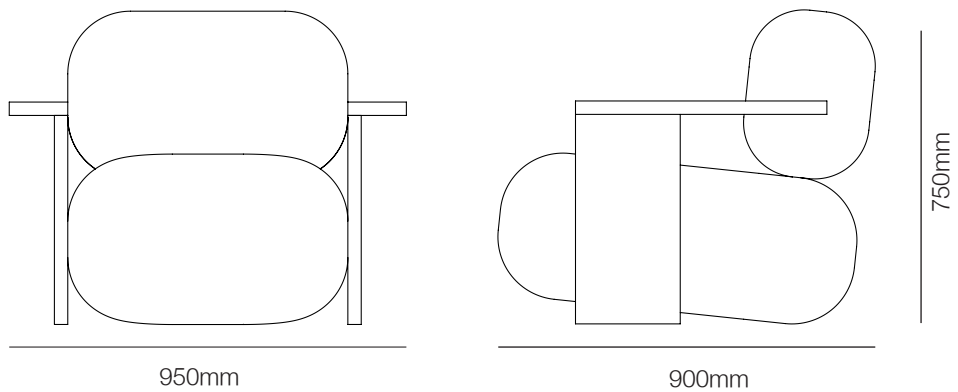


NOUN LOUNGE CHAIR

Made in Australia



NOUN LOUNGE CHAIR

ABOUT

Designed by Gabrielle Beswick & Andrew Beveridge, 2024

The Fomu Noun Lounge Chair draws inspiration from the simplicity and significance of a noun—a word that defines an object, person, place, or idea. Just as a noun brings clarity and structure, the Noun Lounge Chair is designed to be a key element in your space, offering both comfort and functionality. With arms wide enough to rest a book or a coffee, it's more than just a seat; it's a place to pause and connect with your surroundings. Made in Melbourne from American Oak and a selection of high-quality and sustainable upholstery, the Noun Lounge Chair embodies Fomu's ethos of thoughtful, meaningful design, effortlessly integrating into everyday life.

ENVIRONMENT

Indoor and outdoor

MATERIALS

American Oak with a plant based wax/ oil finish.
Available in a wide range of fabrics options.
COM also available 3m required

DIMENSIONS

W: 95cm (23.62 in) D: 90cm (23.62 in) H: 75cm (13.77 in) SH: 41cm (16.14)

WEIGHT

25kg

SUSTANABILITY

The Noun lounge chair is ethically produced in Melbourne with high quality foam and FSC certifide timber. The timber is finished and sealed using a plant-based wax/oil which provided a high level of protection without the use of harmful chemicals.
