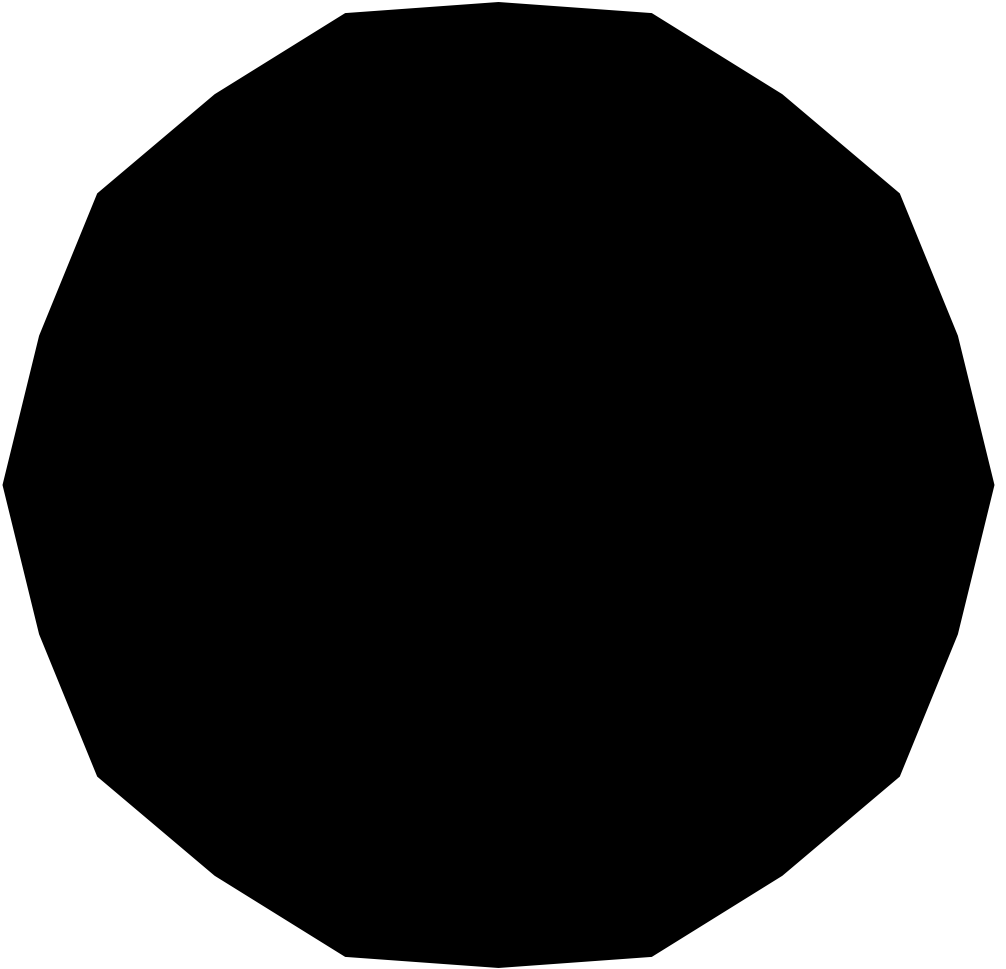


Molino Grinder



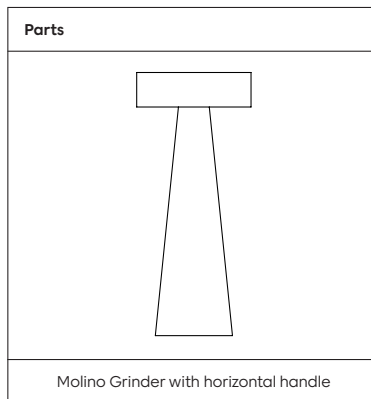
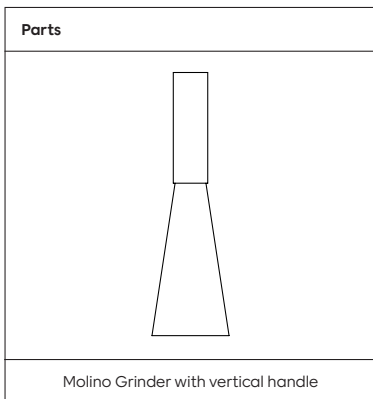
User Guide

Molino Grinder

Think of the Molino Grinder as a functional sculpture for your tabletop. This super-sized, hand-painted utensil is efficient at granulating salt, pepper and spices, but its blown-up stripy form is a graphic monument for your dinner table, too. Molino is a characteristically exuberant design from Fabien Cappello whose work reflects the energy and vivacity of Mexico, where he lives and works. Each Molino grinder is made from turned solid beech wood and is individually hand-painted by skilled decorators, giving every object a unique character. Molino is finished in a high gloss lacquer.

Molino Grinder uses a high-quality ceramic grinding mechanism called CrushGrind®, making it highly flexible and capable of grinding salt, pepper, whole dried herbs and spices all with the same grinder.

Note: Depending which Molino Grinder you purchased you will receive one of the following grinders fully assembled. Learn how to fill your grinder on the next page.

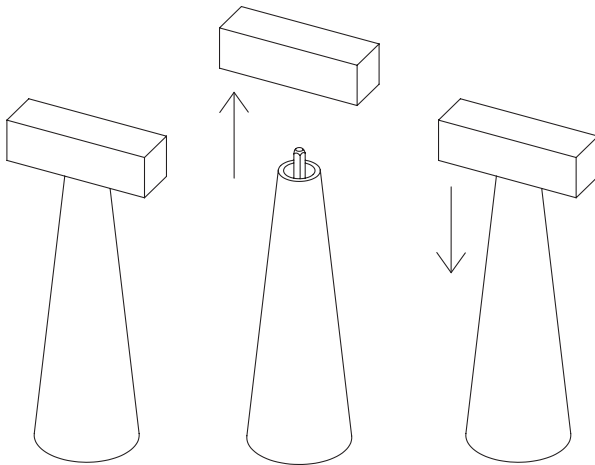
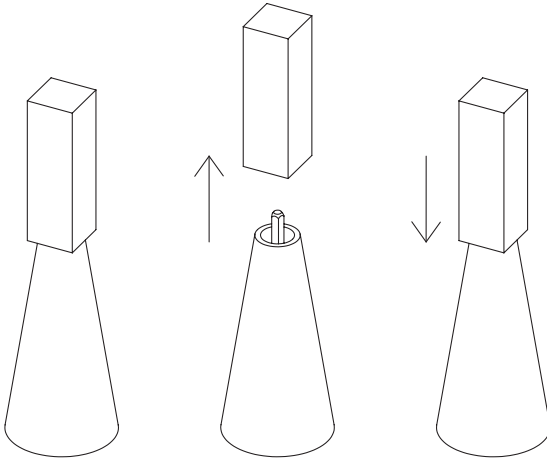


How to fill your grinder

Remove the handle.

Fill the grinder.

Replace the handle.



Should you have any problems assembling your product, contact us at info@hem.com. We're always happy to help!

We have carefully selected the materials used in this product, and ask you to treat it responsibly too.
Please recycle all packaging according to your local disposal rules.

Hem