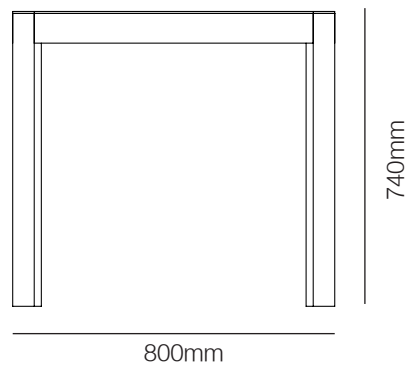


fomu

FRAME TABLE

Made in Australia



FRAME TABLE

ABOUT

Designed by Gabrielle Beswick & Andrew Beveridge, 2023

This collection is called "Frame" because of its bold, structured design that forms a strong, architectural framework. The items within the collection feature a rigid structure that has been emphasized by its large proportions. Made from raw aluminium, these pieces are perfect for both indoor and outdoor use and will naturally develop a unique patina over time, adding character to each piece. For those who prefer to maintain the original appearance without a patina, we also offer clear or coloured powder-coated finishes.

ENVIRONMENT

Indoor and outdoor

MATERIALS

Raw aluminium, Clear powder coat or Coloured powder coat

DIMENSIONS

W: 80 cm (31.50 in) D: 80 cm (31.50 in) H: 74 cm (29.13 in)

WEIGHT

15kg

SUSTANABILITY

The items from the Frame collection are made entirely from aluminum, allowing them to be 100% recyclable. Each piece is skillfully manufactured in Tasmania and built to withstand the harshest of environments.
