

//

Bloom Table Light



The Bloom Table lights' super-elliptical form is inspired by the gentle dynamic flow of paper lanterns. Its glorious lit effect is the result of transparency and light. Two contrasting materials – a finely perforated mesh core and frosted blown glass, combine to project a soft focus texture onto the inside of the shade. Sitting atop a plated stainless steel base, Blooms distinct character is evident both in its on and off state, creating a versatile, value for money table light.

Designer
Tim Rundle

Warranty
3 years

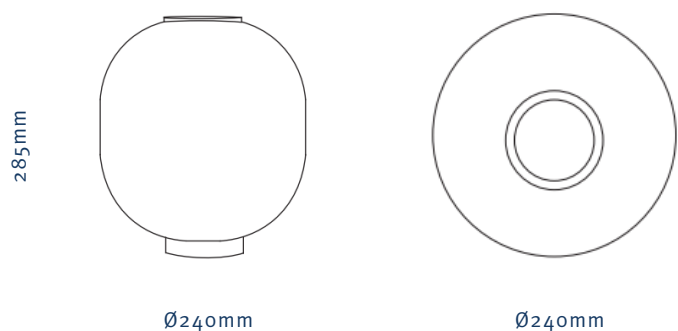
PERTH
246 Hay Street
Subiaco WA 6008
Australia
(08) 9388 1855
perth@district.com.au

MELBOURNE
20 Russell Street
Melbourne VIC 3000
Australia
(03) 9654 1060
melbourne@district.com.au

SYDNEY
New South Wales
Sydney NSW 2000
Australia
(03) 9654 1060
sydney@district.com.au

DIMENSIONS

Table Light



MATERIALS

Glass & Stainless Steel

FINISHES

Shade -	Frosted White Glass Frosted Black Glass
Base & Diffuser -	Nickle Plated Black Chrome
Cable -	Black

FEATURES

Voltage -	110-240V
Power Usage -	42W
Lumens -	610L
Colour Temperatre -	3000K
Cable Length -	3000mm
Dimmable -	Yes